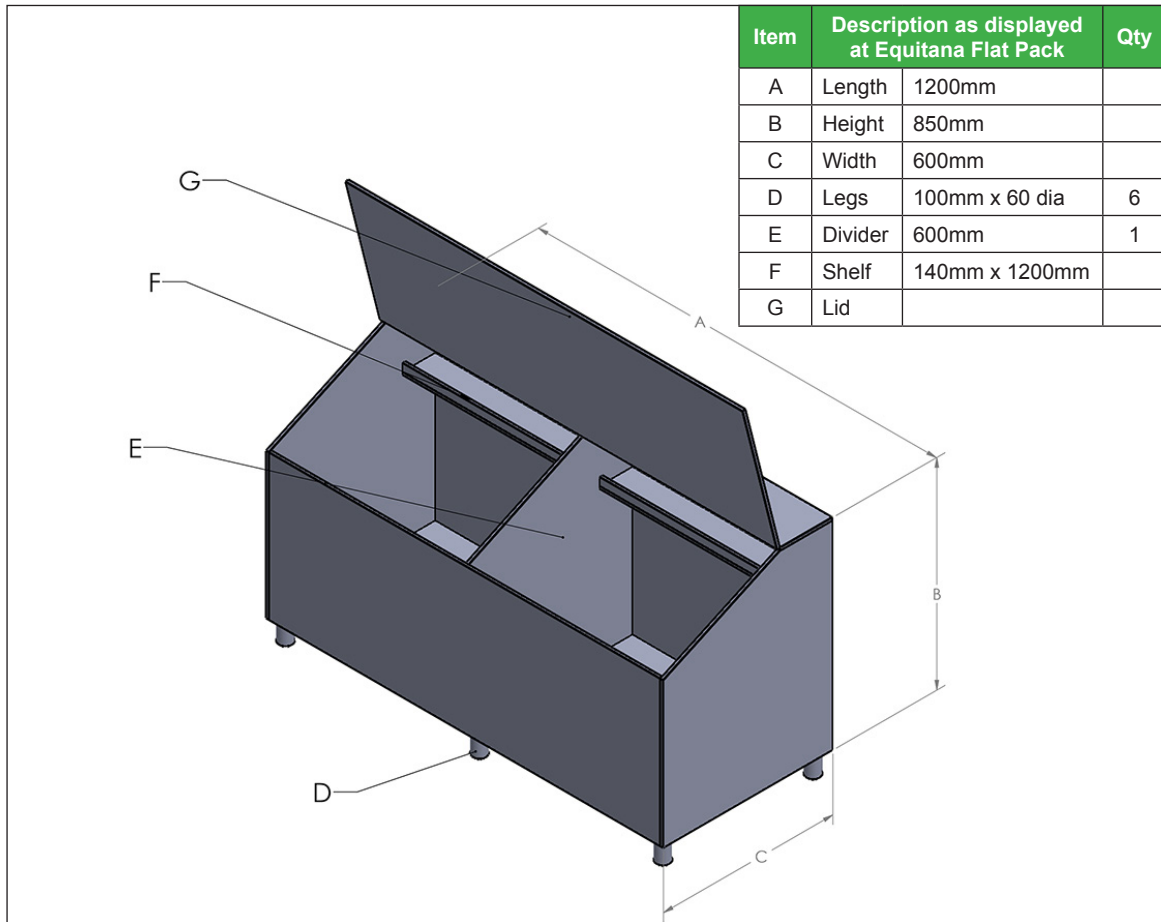


# DOTMAR FEED STORAGE BIN ENQUIRY FORM



AGRICULTURAL PLASTIC PRODUCTS



Item	Description as displayed at Equitana Flat Pack		Qty
A	Length	1200mm	
B	Height	850mm	
C	Width	600mm	
D	Legs	100mm x 60 dia	6
E	Divider	600mm	1
F	Shelf	140mm x 1200mm	
G	Lid		

Item	BUILD YOUR OWN DIMENSIONS		Qty
1	Length		
2	Height		
3	Width		
4	Legs		
5	Divider		
6	Shelf		
7	Lid		
8	Castors		
9	Assembly		

Customer to Collect: Yes  No  Qty Feed Bins Required:

Customer Name:

Address for Freight:

## QUOTATION

Price Ex GST	\$
Freight Charge	\$
Total Inc GST	\$

**VICTORIA**  
30-32 Garden Boulevard  
Dingley VIC 3172  
E: dotvic@dotmar.com.au

**NEW SOUTH WALES**  
25 Loyalty Road  
North Rocks NSW 2151  
E: dotnsw@dotmar.com.au

**QUEENSLAND**  
67 Dulacca Street  
Acacia Ridge QLD 4110  
E: dotqld@dotmar.com.au

**SOUTH AUSTRALIA**  
Units 1-2, 487 South Road  
Regency Park SA 5010  
E: dotsa@dotmar.com.au

**WESTERN AUSTRALIA**  
16 Bell Street  
Canning Vale WA 6155  
E: dotwa@dotmar.com.au